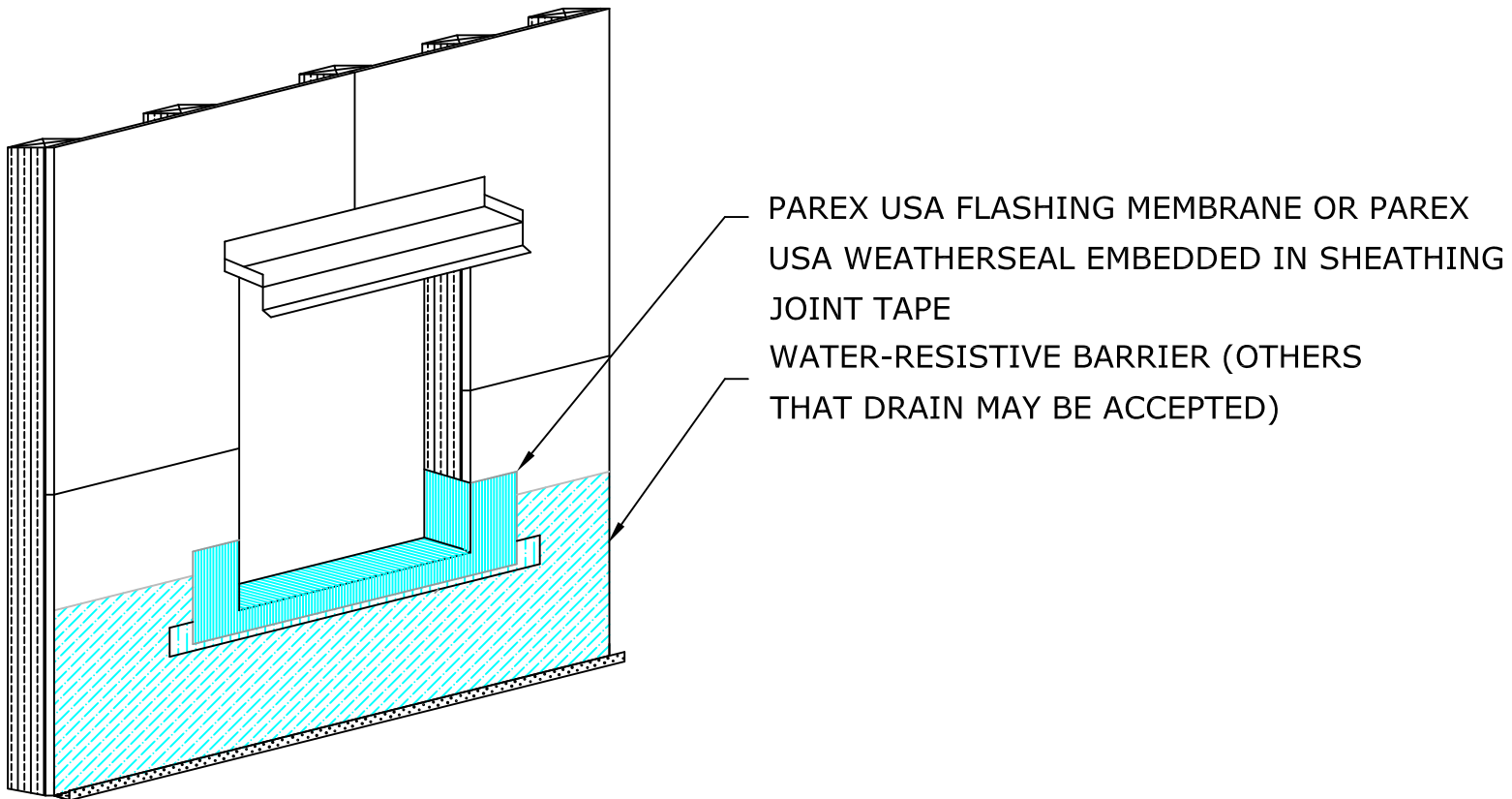


NUTECH STUCCO



DAFS G1.04A WATER RESISTIVE BARRIER INSTALLATION

NOTES:

1. NUTECH STUCCO ASSEMBLY: LAHABRA BASE COAT WITH PAREX USA REINFORCING MESH EMBEDDED, (OPTIONAL PAREX USA PRIMER), AND LAHABRA DPR FINISH.
2. PAREX USA WEATHERSEAL MAY BE USED AS THE WATER-RESISTIVE BARRIER.
3. OPTIONAL DRAINAGE MEDIUM (DRAINAGE MAT, TYVEK STUCCOWRAP, PLASTIC LATH, ETC.) MAY BE INSTALLED BEHIND THE CEMENT BOARD.
4. ALL RELATED MATERIALS BY OTHERS.
5. DETAILS THE SAME FOR EITHER STEEL OR WOOD STUDS.

Disclaimer: The design specifications and construction shall comply with all local building codes and standards. Parex USA installation guidelines are for general information and guidance only and Parex USA specifically disclaims any liability for the use of this design, and for design engineering, or workmanship of any project. The assembly shall be designed to prevent condensation within the assembly. The designer and the user shall provide final drawings and specifications. Products shown other than those manufactured by Parex USA are shown for clarity of the Parex USA product only. Contact the Manufacturer for installation instructions.